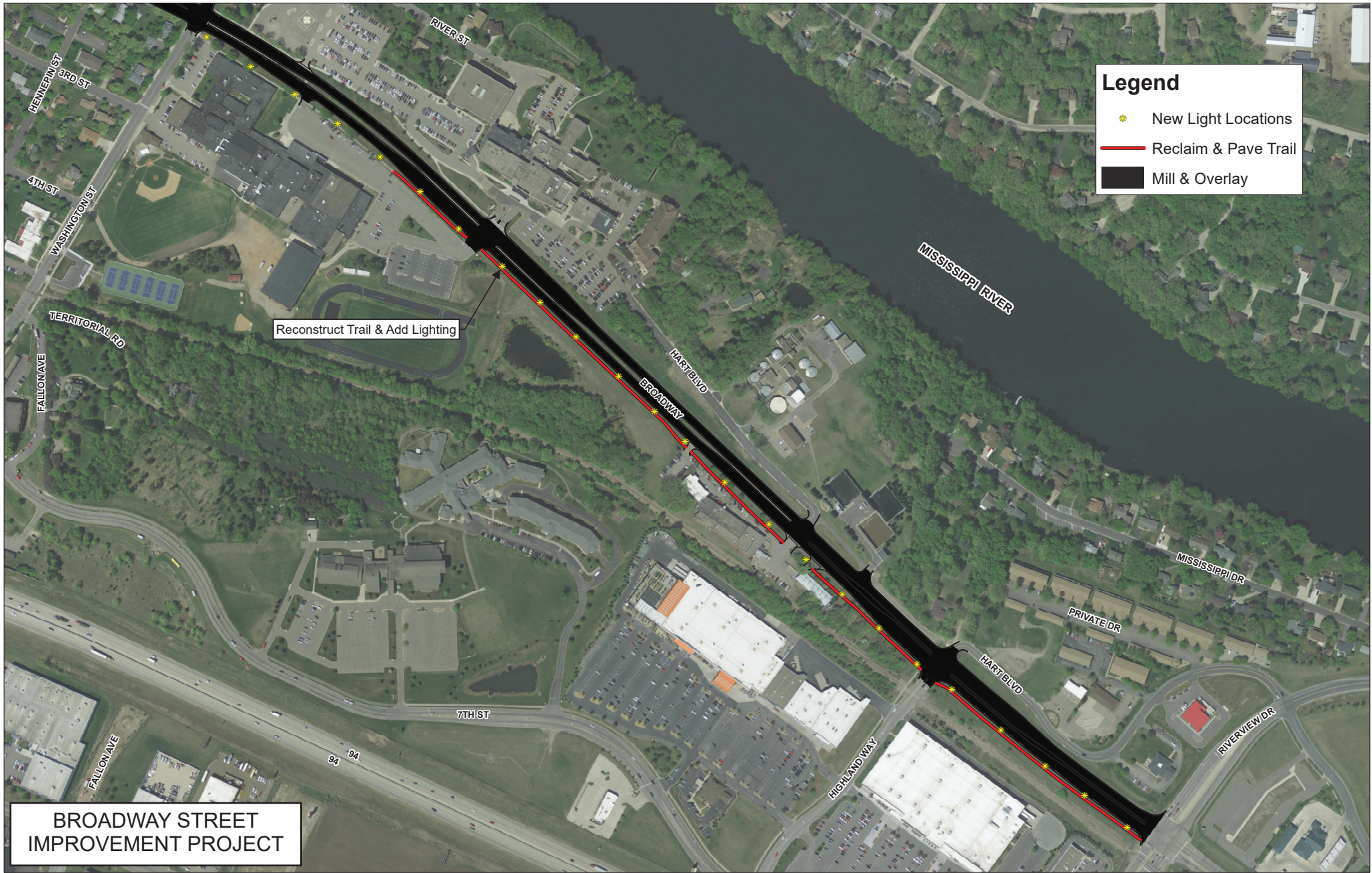


**Legend**

- Reclaim & Pave Trail
- Mill & Overlay

**BROADWAY STREET  
IMPROVEMENT PROJECT**

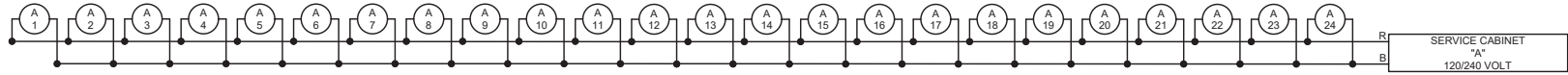


**Legend**

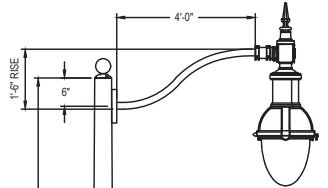
- New Light Locations
- Reclaim & Pave Trail
- Mill & Overlay

Reconstruct Trail & Add Lighting

**BROADWAY STREET  
IMPROVEMENT PROJECT**



B AND R DENOTE CURRENT CARRYING CONDUCTORS  
GROUND NOT SHOWN

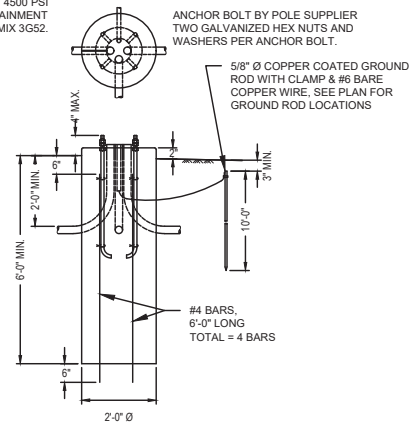


EQUIPMENT SCHEDULE						
SYMBOL	DESCRIPTION	WATTAGE & CCT	LUMENS	MOUNTING	OPTICS	COLOR & FINISH
☀	LIGHTING UNIT TYPE 1 LED LUMINAIRE ON ROUND TAPERED ALUMINUM POLE WITH DECORATIVE ARM	79 WATT 4000K	7,816	DESIGN E MODIFIED	TYPE II	DARK BRONZE
		MANUFACTURER & SERIES #				
		CYCLONE - LUMINAIRE: COM12P1A-DP2AX-T2-P60-40K-MVOLT-10KV-ADS-F7AP-BZ-TX-FAO-CP5283 HAPCO - POLE AND ARM: RTA-16-6-D-6-B-4-M1-4-BM				

24" DIA. CONCRETE BASE W/ 2" FOUNDATION EXPOSURE AND 3/4" CHAMFERED EDGE. BRUSH FINISH ALL EXPOSED SURFACES. 4500 PSI CONCRETE W/ AIR ENTRAINMENT MNDOT MIX 3G52.

BOLT CIRCLE PER  
POLE MANUFACTURER

ANCHOR BOLT BY POLE SUPPLIER  
TWO GALVANIZED HEX NUTS AND  
WASHERS PER ANCHOR BOLT.



**LIGHT FOUNDATION DESIGN E MODIFIED DETAIL**  
(USE MNDOT STANDARD PLATE 8127 EXCEPT AS MODIFIED BY THIS DETAIL)  
NOT TO SCALE

## Broadway Street Trail Lighting

S.A.P. 086-675-020  
S.A.P. 222-020-004

DRAWN BY: DDM  
DESIGNER: JEK  
CHECKED BY: JPC

NO.	BY	DATE	REVISIONS

THEREBY CERTIFY THAT THIS PLAN WAS PREPARED BY ME OR UNDER MY DIRECT SUPERVISION AND THAT I AM A DULY LICENSED PROFESSIONAL ENGINEER UNDER THE LAWS OF THE STATE OF MINNESOTA.

*John P. Carlson*  
Name: JOHN P. CARLSON, P.E.  
Date: February 25, 2024  
Lic. No. 24501



2024 BROADWAY & 7TH STREET  
IMPROVEMENT PROJECT

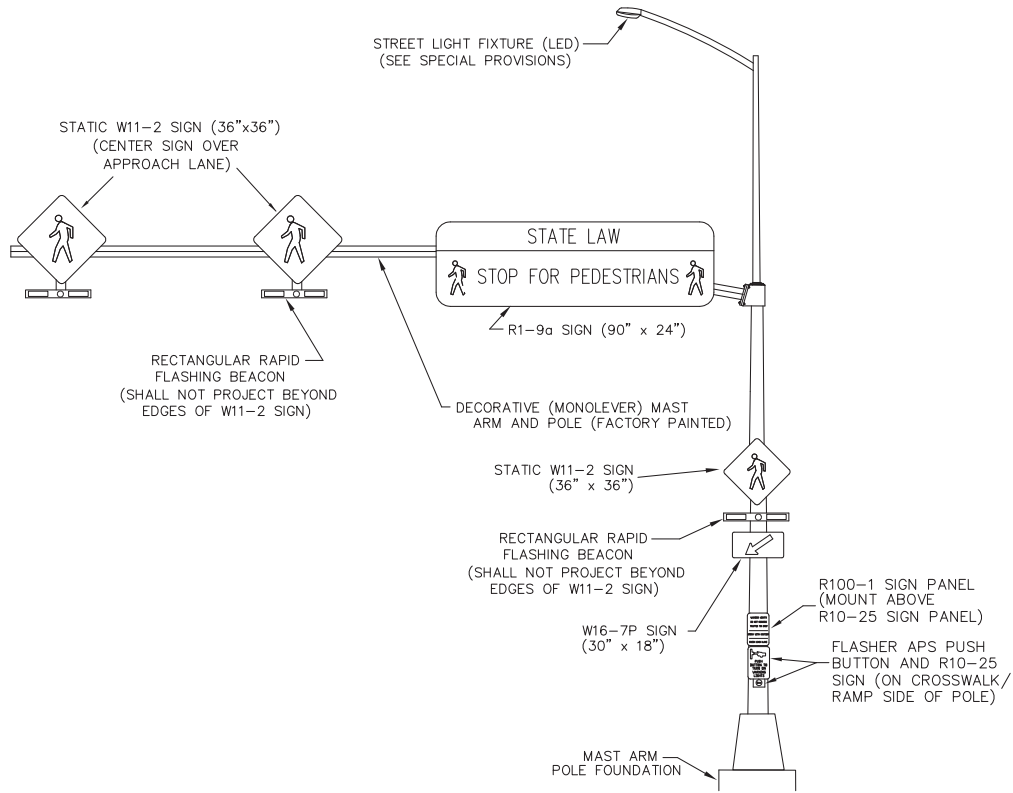
LIGHTING PLANS  
DETAILS  
CITY OF MONTICELLO, MINNESOTA

FILE NO.  
HAKAN 173315  
SHEET  
13 OF 14  
**E13**  
**E14**

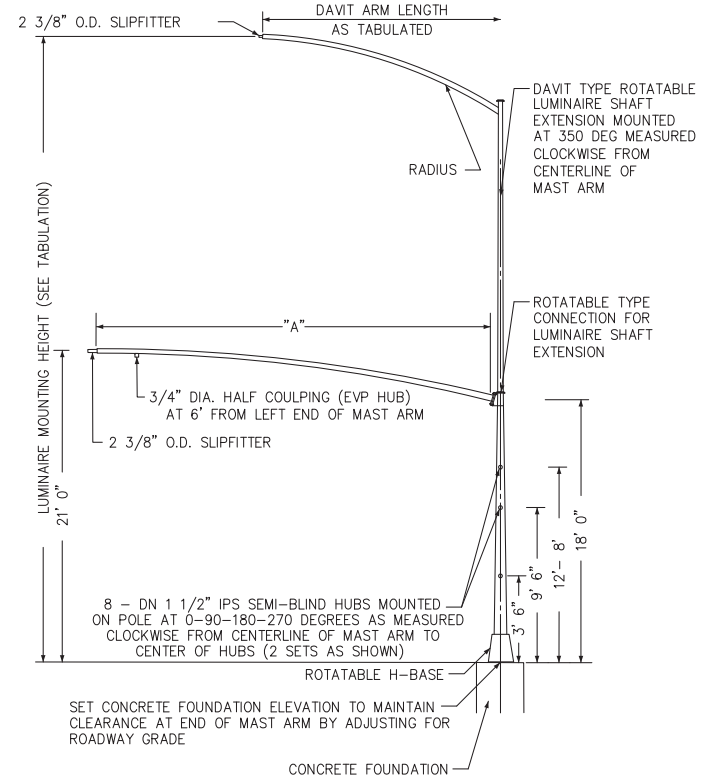
X:\PJ\HAKAN\173315-173315-173315-Electrical\TRAIL LIGHTING.dwg, 2/26/2024, 9:55:46 AM, dhesind

PLOT

FLASHER MAST ARM POLE DETAIL



CLASSIC HEAVY MAST ARM SIGNAL POLE AND ROTATABLE LUMINAIRE SHAFT EXTENSION (NO SCALE, SEE SPECIAL PROVISIONS)



- NOTES:
- 1.) POLE SHAFT SHALL BE BACK RAKED TO SET PLUMB UNDER NORMAL LOAD.
  - 2.) SEE SPECIAL PROVISIONS FOR PAINTING AND GALVANIZING REQUIREMENTS OF MAST ARM SIGNAL POLES.

Broadway Street / Cedar Street Rapid Flashing Beacon

POLE	DIMENSIONS		LUMINAIRE MOUNTING HEIGHT	DAVIT ARM LENGTH
	"A"			
	MAST ARM	EVP HUB		
1	30.0'	6.0'	30.0'	9.0'
2	25.0'	6.0'	30.0'	9.0'

S.A.P. 086-675-020  
S.A.P. 222-020-004

DRAWN BY: JMG  
DESIGNER: JMG  
CHECKED BY: JMG

NO.	BY	DATE	REVISIONS

I HEREBY CERTIFY THAT THIS PLAN WAS PREPARED BY ME OR UNDER MY DIRECT SUPERVISION AND THAT I AM A DULY LICENSED PROFESSIONAL ENGINEER UNDER THE LAWS OF THE STATE OF MINNESOTA.  
Date: February 26, 2024  
Name: John M Gray, PE  
Lic. No.: 22457



2024 BROADWAY & 7TH STREET IMPROVEMENT PROJECT

PEDESTRIAN CROSSWALK FLASHER SYSTEM B MAST ARM POLE DETAILS CITY OF MONTICELLO, MINNESOTA

FILE NO. HAKAN 173315  
FLASHER SHEET 2 OF 8

S2  
S8

X:\WORK\MONTICELLO\COMMON\TRAFFIC\MONTICELLO\_FLASHERS (JMG)\BROADWAY-CEADAR\_FLASHER.DWG